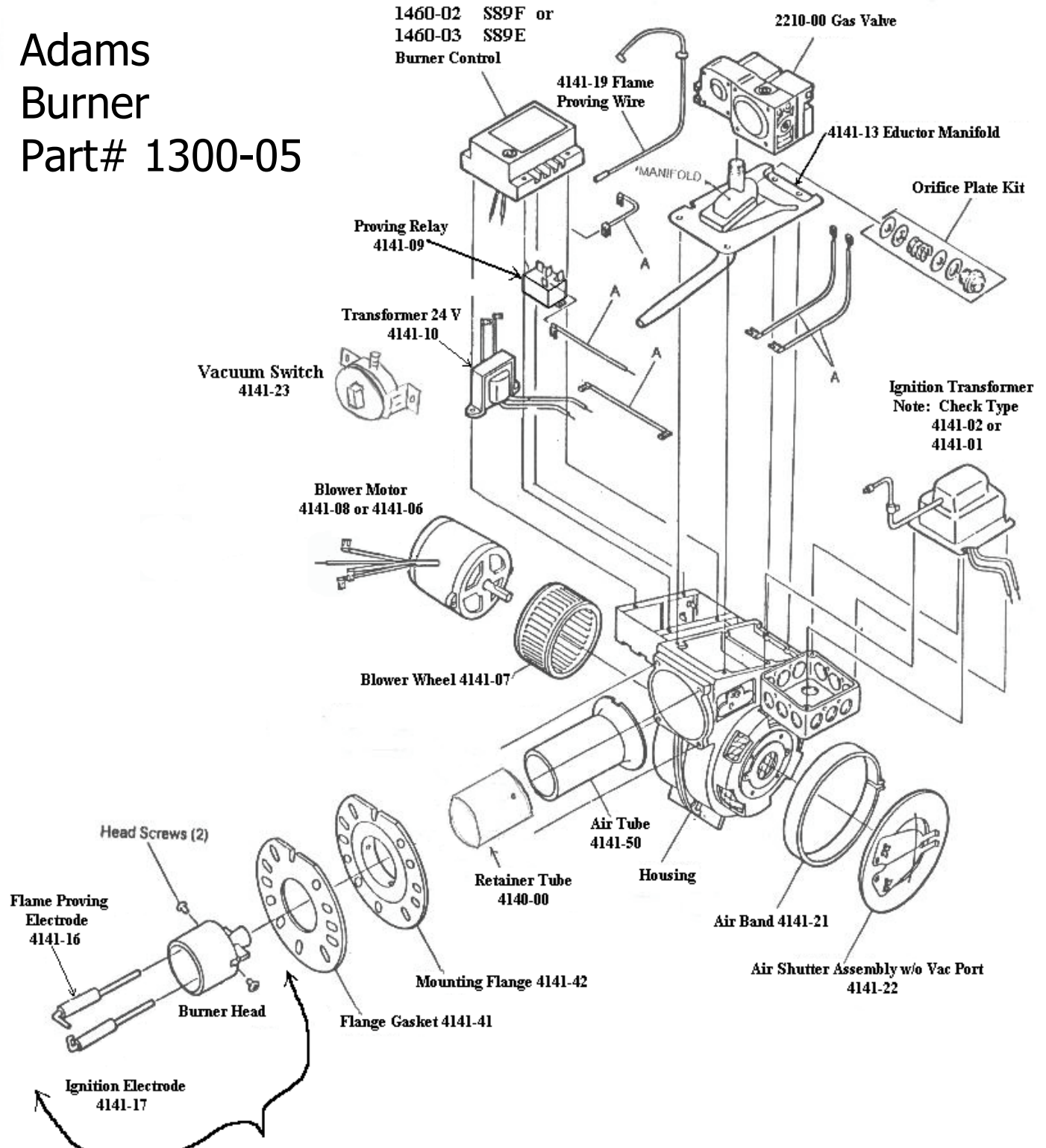


Adams Burner Part# 1300-05



BURNER HEAD ASSEMBLIES

WITH ELECTRODES

G-2	4141-12
G-4	4141-11
G-6	4141-04
G-8	4141-03

**POLLUTION
CONTROL
PRODUCTS CO.**