

Figure 12-1 Top View of SK-225 Burner, Lid off Cover

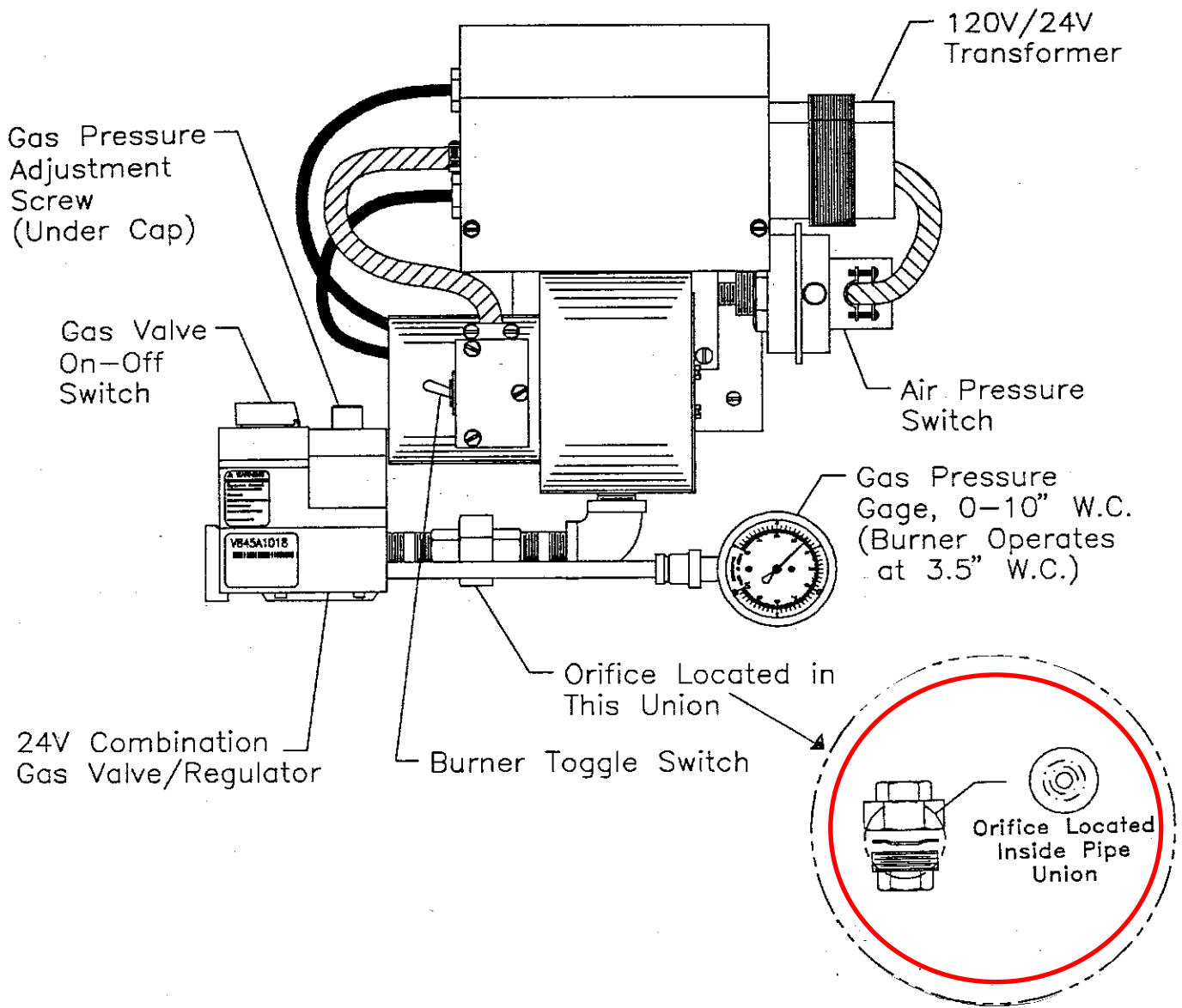


Figure 12-2 Back View of SK-225 Gas Burner

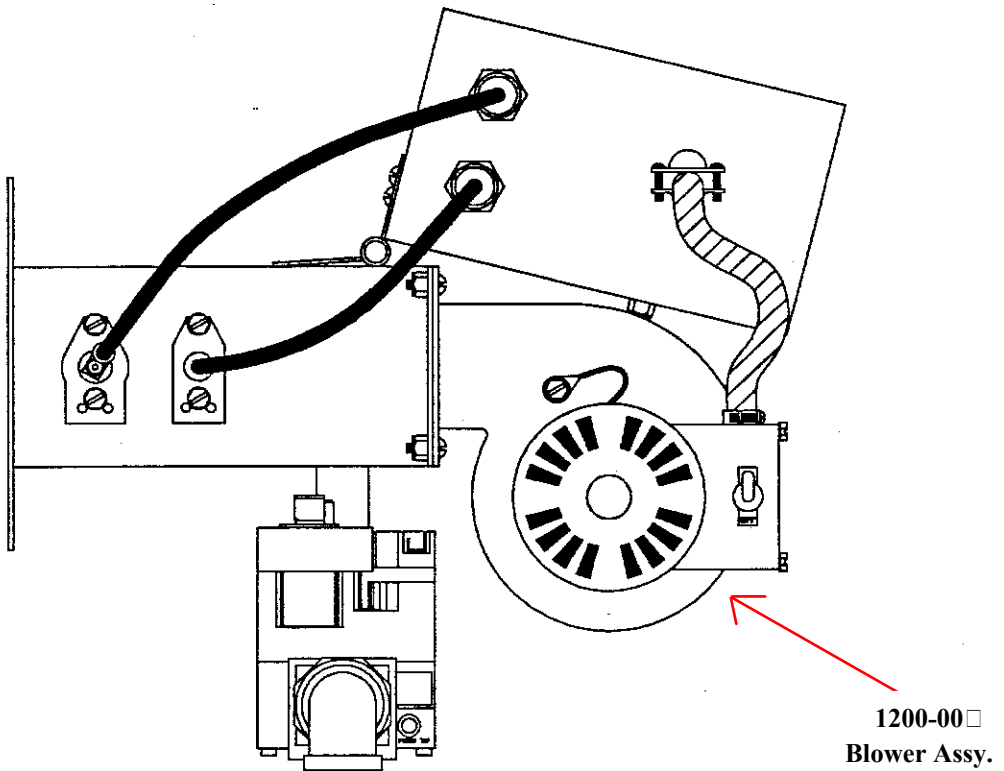


Figure 12-3 SK-225 Gas Burner, Left Side View

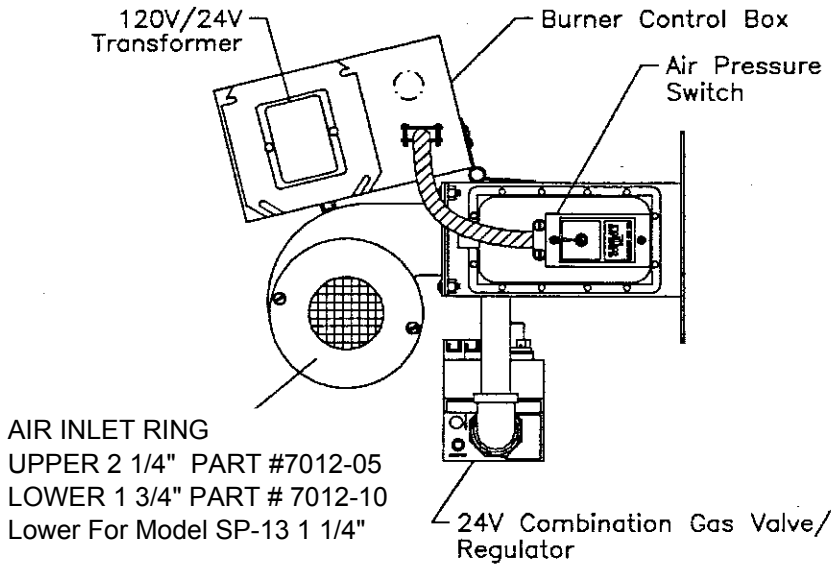
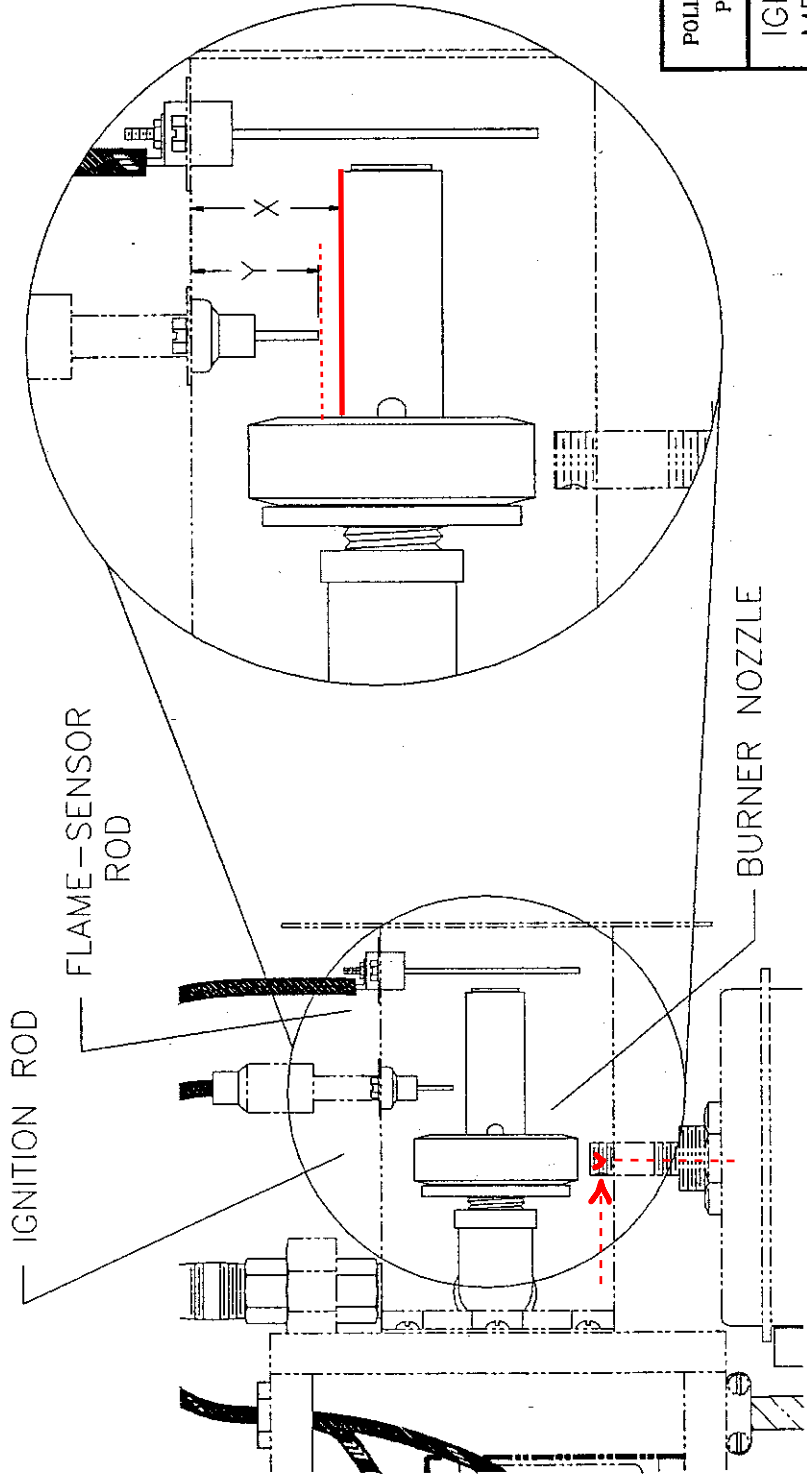


Figure 12-4 SK-225 Gas Burner, Right Side View

TO MEASURE DISTANCE BETWEEN IGNITION ROD TIP AND BURNER NOZZLE, PROCEED AS FOLLOW:

- A. REMOVE 2-SCREWS HOLDING IGNITION ROD TO BURNER TUBE, THEN REMOVE IGNITION ROD.
- B. MEASURE DISTANCE FROM INSIDE IGNITION ROD MOUNTING BRACKET TO END OF IGNITION ROD TIP, DISTANCE (Y).
- C. MEASURE DISTANCE FROM OUTER BURNER TUBE WALL TO 1/2" BURNER NOZZLE EXTENSION, DISTANCE (X).
- D. SUBTRACT X - Y ; YOU SHOULD OBTAIN THE 3/16" GAP NEEDED.

IF IGNITION ROD TOO LONG: USE BOLT-CUTTER AND THEN GRINDER TO OBTAIN DESIRED LENGTH.



TOP VIEW

SK-225 BURNER TUBE

POLLUTION CONTROL  
PRODUCTS CO.

DALLAS, TEXAS

IGNITION ROD ADJUST-  
MENT FOR SK-225

SCALE	DWG. BY	RS/CBM	DATE	3-26-90
REV. 002	CHKD. BY		DATE	
SHEET 1	OF 1	DWG. NO.	9003-01	

CAD FILE: BURNNOZL.DWG  
LAYER: 0  
PLOT DATE: 4-21-95  
CCC# 9003-02

**GAS BURNERS PARTS-SK225**

1000-00	SK225 Air Switch, Tridelta
1200-00	SK225 Blower Motor, Dayton 4C446
1460-00	SK225 Burner Programmer, Honeywell S87D
2200-00	Burner Gas Pressure Gauge 0-10"
2210-00	SK225 Burner Gas Valve, Honeywell VR8305M 24V 1/2"
4440-02	SK225 Proving Relay, Dayton 5X834 SPDT
4100-12	Burner Gasket 6 X 6
4600-02	SK225 Flame Sensor Rod, Q354
4600-03	SK225 Spark Ignitor Rod, Q357 9/16"
4870-00	SK225 Transformer, Honeywell AT72D 120/24V
7057-00	SK225 Flame Sensor Cable with Connectors
7058-00	SK225 Spark Ignitor Cable with Connectors